

MYDASH

Portable DVD Player Model: MP10A



USER GUIDE

Official E-mail : Support@imydash.com

Contents

Important	2
Trouble shooting/warranty	2
Overview over the device	3
Use your DVD player	5
What's in the box	9
Adjust the settings	9
Product's information	12

Thank you for purchasing MYDASH MP10A Portable DVD Player. This is the Quick Start Guide, which provides you with basic operations' instructions. Please read it carefully before using the product. We do provide 12 months warranty. If you have any problems or suggestions, please feel free to contact us by amazon message, or send an email to our official E-mailbox. MYDASH offers 24/7 online support service

official E-mail: **Support@imydash.com**

Important safety instructions

1. Read all instructions before start using the unit.
2. Use this unit only for its intended use as described in the manual.
3. The temperature of accessible surface may increase when the unit is operating.
4. If smoke is emitted, switch o- and unplug the unit immediately.
5. Ventilation slots in the cabinet are provided for ventilation to ensure reliable operation of the product to protect it from overheating, the slots should not be blocked by placing the product on a bed, sofa, rug, or any other similar surface.
6. Never attempt to disassemble the unit by yourself, it is very dangerous and may cause an electric shock and/or harm from to the laser beam. Please refer all servicing and maintenance to an authorized service center.

Please read through this manual before operating the unit. Please retain this manual for further use.

Trouble shooting/warranty

MYDASH offers 12 months warranty card (included in the box) and 24/7 customer support.

ACTIVATE YOUR 12-MONTH WARRANTY. Register within 7 days after receiving your new product by visiting this link:

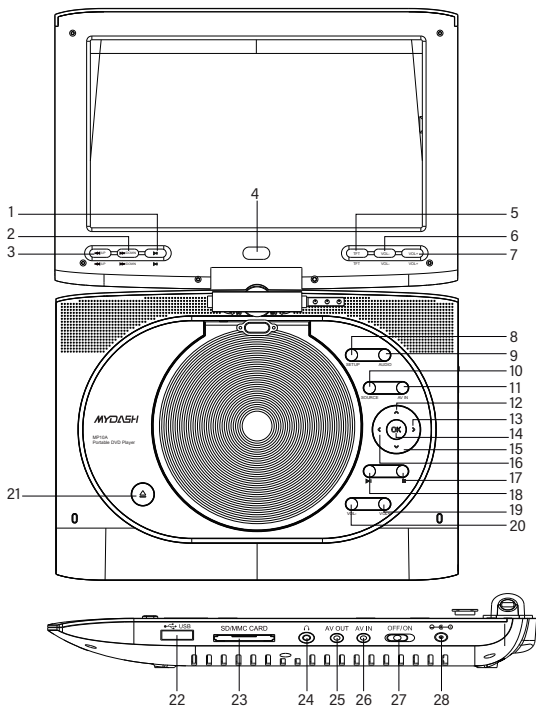
www.imydash.com/warranty

If you face any trouble operating the DVD player or if there is any broken item, please don't hesitate to contact us and we will guide you through the process of fixing your problem.

E-mail: support@imydash.com

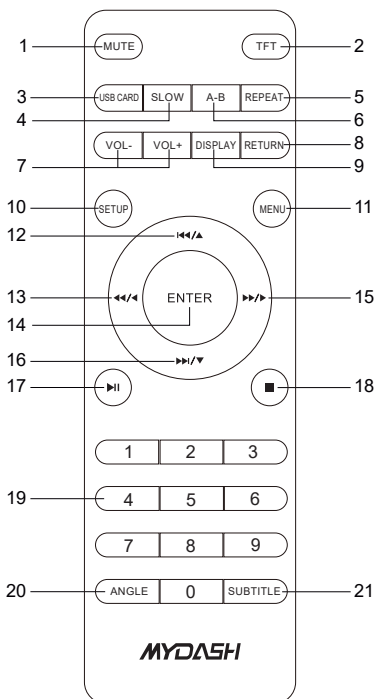
Tel: +1 (347) 708-1733

Overview over the device



- | | | |
|--------------------------------|------------------|---------------------------|
| 1. PLAY / PAUSE | 11. AV IN | 21. OPEN BUTTON |
| 2. NEXT / DOWN | 12. UP | 22. USB PORT |
| 3. PREVIOUS / UP | 13. RIGHT | 23. SD / MMC CARD SLOT |
| 4. REMOTE SENSOR WINDOW | 14. OK | 24. 3.5 mm HEADPHONE JACK |
| 5. TFT SCREEN ON / OFF | 15. DOWN | 25. AV OUTPUT JACK |
| 6. VOLUME DOWN | 16. LEFT | 26. AV INPUT JACK |
| 7. VOLUME UP | 17. STOP | 27. ON / OFF SWITCH |
| 8. SETUP | 18. PLAY / PAUSE | 28. DC IN 9~12V INPUT |
| 9. AUDIO | 19. VOLUME UP | |
| 10. SWITCH USB / SD CARD / DVD | 20. VOLUME DOWN | |

Remote picture



- | | |
|-------------------------------|--------------------------|
| 1. MUTE | 11. MENU |
| 2. TFT SCREEN ON / OFF | 12. PREVIOUS / UP |
| 3. SWITCH USB / SD CARD / DVD | 13. FAST REWIND / LEFT |
| 4. SLOW MOTION | 14. ENTER |
| 5. PLAY REPEAT METHOD | 15. FAST FORWARD / RIGHT |
| 6. A-B LOOP REPEAT | 16. NEXT / DOWN |
| 7. VOLUME DOWN / UP | 17. PLAY / PAUSE |
| 8. RETURN | 18. STOP |
| 9. DISPLAY OPTIONS | 19. NUMBERS PAD |
| 10. SETUP | 20. VIDEO ANGLE |
| | 21. SUBTITLE |

Use your DVD player

Turn on/off the player

Slide the Power switch on the right side of the player to the "ON" position to turn on the player.

Slide the Power switch on the right side of the player to the "OFF" position to completely turn off the player.

Note: If you won't use the player for a long period of time, slide the Power switch to the "OFF" position and unplug the power source.

Choosing the Input Source (DVD/USB/SD)

Click the (USB/CARD) on the remote control or (SOURCE) on the unit to switch between DVD or USB or SD input sources, if the corresponding device is inserted, When you insert a DVD, USB flash drive, or SD card while the DVD

Player is not connected to any multimedia devices, the input source would be selected automatically

Playing Discs

1. Slide the Power switch on the player to "ON" position to turn on the player.
2. Open the disc cover and insert a playable DVD or CD disc, make sure the label side is facing up, and then close disc cover.
3. The player will scan the disc, and then playback will start automatically. If a disc menu appears on the screen, you can choose your desired track or video.
5. During the playback, press the STOP button to stop playback.
6. Sliding the Power Switch on the player to "OFF" position will turn off the player.
7. Press the MENU button on the remote control to activate or deactivate the PBC function, if the disk supports PBC function.
PBC playback allows you to play Video CDs(VCD version 2.0 only) interactively.
8. Press the MUTE button on the remote control to turn on or off the sound.
9. Press the Display button on the remote control to select the playtime.

10. Press the REPEAT/PROG on the remote control button to re-setup the playing order.

Volume Control

Press the VOL+/-button on the player or the remote control to increase or decrease the volume level. To switch off the volume temporarily press the MUTE button on the remote control. Playback will continue without sound. Press it again or press the volume button to activate the sound.

Repeat A-B(DVD / VCD / CD / MP3)Playback

Using this feature to repeat the playback of a specific section of a track/ chapter (loop). Press the Repeat A-B button on the remote to set the desired start point of the section to be repeated.

Press the Repeat A-B button on the remote again to set the desired endpoint of the section to be repeated.

The section "A-B" will now be played repeatedly as a loop.

Press the Repeat A-B button a third time to cancel the repeat A-B feature and resume normal playback.

Selecting Subtitle Languages(DVD)

While playing a DVD disc that has been mastered with multiple subtitles, press the Subtitle button repeatedly to select the desired language of the viewable subtitle.

Information Display

During playback, press the DISPLAY button repeatedly to show the disc playback information on the screen (video format, time, title and chapter, etc.)

Note: Depending on the type of disc(DVD, VCD, CD or Data discs), different information will be shown on display.

Connect to USB

You can play or view the supported song files, such as the MP3/WMA, Video files such as AVI and JPEG for photos. Insert the USB device into the USB port on the right side of your portable DVD player. The portable

DVD player supports USB devices up to 32 GB.

(Note: Not all USB devices can be read well, which may result in playback issues.)

All functions are the same as playing a disc.

Note: The USB IN port is compatible with flash drives. Some MP3 players using proprietary software may not be compatible.

Connect SD/MMC Memory Card

1. Insert an SD or MMC card into the SD/MMC Memory Slot.
2. Switch unit to Card Mode by pressing the USB/CARD button.
3. Use the Directional buttons to select videos or image. Press the Enter button to play.
4. The portable DVD player supports Memory Cards up to 32 GB.

Note: Please be sure you don't insert the card incorrectly or it may become damaged. Always stop the playback or change to another mode before removing the USB/memory card.

Battery Operation

The unit has a built-in rechargeable battery. Fully charge the built-in battery before using it for the first time.

It takes about seven hours to fully charge the battery when the player is not in use. Once charged, disconnect the AC adapter, and then switch on the player.

The unit will operate on Battery Pack.

The unit offers approximately five-hour playback time on a full charge.

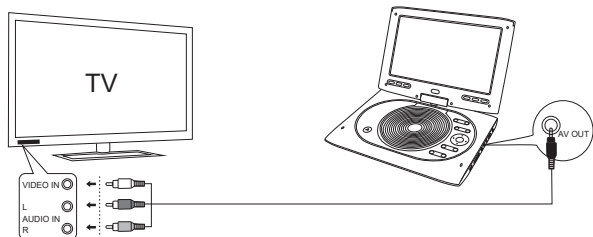
The playback time may vary depending on discs and the volume level.

Note: The player will operate on battery power when the AC/car adapter is not connected

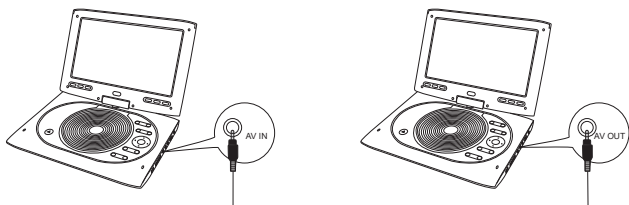
Rotate the screen



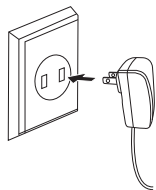
Connect to TV



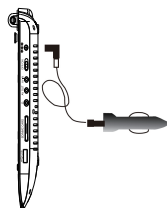
Connect to DVD Player



Connecting power supply



Car adaptor



What's in the box

1. DVD player machine
2. Ac adaptor
3. Remote control
4. Av cable
5. DVD player to DVD player cable
6. Car adaptor
7. Instructions manual
8. Warranty card
9. Portable dvd player bag

Adjust the settings

1. GENERAL SETUP PAGE

There are Six items in the GENERAL SETUP PAGE. They are TV DISPLAY, ANGLE MARK, OSD LANGUAGE, CAPTIONS, SCREEN SAVER, and LAST MEMORY.

1.1 TV DISPLAY

4:3 PAN SCAN

If the unit is connected to a conventional TV set, the wide-screen image displayed on the screen in its native aspect ratio with some part on the left and right cut off.

4:3 LETTERBOX

If the unit is connected to a conventional TV set, the wide-screen image will be displayed in its native aspect ratio with black borders on the top and the bottom side.

16:9 wide:

Select this option if the unit is connected to a wide-screen TV set. The wide-screen image will be displayed in full screen in its native aspect ratio while the 4: 3 image will be stretched out horizontally to fit in the screen.

1.2 ANGLE MARK

Set this item to ON. When a disc encoded with multiple camera angles is playing, the angle mark will display on the screen. Then you can view the video of different camera angles by pressing [ANGLE] on the remote control.

Set this item to OFF to disable this function.

NOTE: this function only works with those discs encoded with multiple camera angles.

1.3 OSD(on-screen display)language

Set this on-screen display language in this item.

1.4 CAPTIONS

Set this item to ON. When a disc encoded with closed captions, the closed captions will be shown on the screen. Set this item to OFF to hide it. You can also press [SUBTITLE] on the remote control to show or hide the closed captions. **NOTE:** this function only works with those discs encoded with closed captions.

1.5 screensaver

ON: If the image remains motionless on the screen, for example, the disc is paused, stopped, etc. for several minutes, a screen saver will appear on the screen. You can press any key or button to wake it up.

OFF: Disable the screen saver function.

1.6 LAST MEMORY

ON: Each time you turn off the unit or stop the disc, it will memorize the last playtime. Next time you turn on the unit and play the same disc, the unit will play from that memorized point.

OFF: Disable the last memory function.

2. Audio

The Audio menu allows you to change the audio setup of the DVD.
Speaker

Downmix: Set down mix to LT/RT, Stereo or VSURR

Post DRC: Set Post DRC to on, off, or auto.

(Post DRC reduces the volume, guaranteeing that the volume is below the maximum output of the speaker

"On" reduces all volume beyond the maximum output of the speaker.

"Auto" reduces the volume.

3. Video

The video menu allows you to change the display properties of the DVD.
Quality

Sharpness: Adjusts the screen sharpness

Brightness: Adjusts the screen brightness

Contrast: Adjusts the screen contrast

Gamma: Adjusts the screen gamma

Hue: Adjusts the screen hue

Saturation: Adjusts the screen saturation

Panel Quality: Setup the video quality

Panel Display: Setup panel display to 16:9 or 4:3

4. Preference

The preference menu option allows you to adjust the default DVD disc setting. (The setting is only available when no media is inside the unit.)

TV Type Set TV Type to PAL, AUTO, or NTSC

PBC: Set PBC to on or off

Audio: Set the default audio language

Subtitle: Set the subtitle language

Disc Menu: Set the disc menu language

Parental: set a maximum rating for discs that can be played without a password

Password: set a parental lock password(the default password is 0000)

Default: Return the portable DVD to factory default settings.

Product's information

Compatible DISC	DVD/VCD/CD/MP3/MPEG4
Frequency response	20HZ to 20KHZ
Video output	1 Vp-p75 Ohm unbalanced
Audio output	1.4 Vrms/10 kohm
Dynamic range	Better than 85dB
Laser	Semiconductor laser, Waver length: 650
Power source	DC 9-12V 1A
Operation temperature	5-40
Battery type	Li polymer

CE FCC RoHS  
Made in China

